

SolarGrid Energy Solutions

Tunisia Power Plant Air Energy Storage Project



Overview

Will the got build a power plant in Tunisia in 2024?

In 2024, the GOT is also expected to launch a tender for the construction of at least one 470-550 MW combined-cycle power plant in Skhira (south Tunisia) as an IPP. In May 2018, the Ministry of Energy and Mines published a call for private projects to build renewable power plants with a total capacity of 1,000 MW (500 MW wind and 500 MW solar).

What is the energy sector in Tunisia?

Revised in November 2024, this map provides a detailed view of the energy sector in Tunisia. The locations of power generation facilities that are operating, under construction or planned are shown by type - including gas and liquid fuels, natural gas, hybrid, hydroelectricity, solar (PV and CSP), wind and biomass/biogas.

What percentage of Tunisia's electricity is renewable?

In 2022, only 3% of Tunisia's electricity is generated from renewables, including hydroelectric, solar, and wind energy. While STEG continues to resist private investment in the sector, Parliament's 2015 energy law encourages IPPs in renewable energy technologies.

Who produces electricity in Tunisia?

State power utility company STEG controls 92.1% of the country's installed power production capacity and produces 83.5% of the electricity. The remainder is imported from Algeria and Libya as well as produced by Tunisia's only independent power producer (IPP) Carthage Power Company (CPC), a 471-MW combined-cycle power plant.

What is the Tunisian Solar Plan?

The Tunisian Solar Plan (TSP) outlines the following renewable energy installed capacity targets by 2030: In addition, the TSP also calls for 100 MW of

bioenergy by 2030, which Tunisian officials classify as a renewable energy source.

Is AfDB launching a solar project in Tunisia?

"Tunisia: AfDB, AMEA Power, IFC and SEFA launch first large-scale privately-financed solar project". [afdb.org](https://www.afdb.org/en/news-and-events/story/tunisia-afdb-amea-power-ifc-and-sefa-launch-first-large-scale-privately-financed-solar-project). September 26, 2023. Retrieved June 4, 2024.{{cite web}}: CS1 maint: url-status (link) ↑ Anyango, Anita (2024-05-13). "Voltalia wins contract for 130 MWp solar power project in Tunisia". Pumps Africa. Retrieved 2024-06-04.

Tunisia Power Plant Air Energy Storage Project



Compressed Air Energy Storage

3 days ago · As renewable power generation from wind and solar grows in its contribution to the world's energy mix, utilities will need to balance the generation variability of these sustainable ...

Présentation PowerPoint

Jun 30, 2020 · FOREWORD The Tunisian energy sector is facing strategical, economical, social and environmental challenges. Energy sourcing, particularly in the power sector, relies heavily ...



TAX FREE 

ENERGY STORAGE SYSTEM

Product Model
HJ-ESS-215A(100KW/215KWh)
HJ-ESS-115A(50KW 115KWh)

Dimensions
1600*1280*2200mm
1600*1200*2000mm

Rated Battery Capacity
215KWH/115KWH

Battery Cooling Method
Air Cooled/Liquid Cooled



Tunisia's energy infrastructure , African Energy

Revised in November 2024, this map provides a detailed view of the energy sector in Tunisia. The locations of power generation facilities that are ...

TUNISIA POWER PLANTS

Tunisia energy storage power station
Tunisia is planning to embrace pumped storage, considered the most mature of the stationary energy storage technologies, but also the most expensive. A ...



Tunisia: Qair Awarded 300 MW for Two Solar Projects in

Jan 22, 2025 · About Qair in Tunisia Qair has been active in Tunisia since 2015 and is currently building two PV plants totaling a 20 MW capacity through its dedicated team of 10 employees ...

Tunisia seeks consultants for 400 MW solar storage project

Mar 22, 2025 · The World Bank is seeking to recruit a technical consultant to provide advice on a large-scale solar energy storage project in Tunisia. The consulting work will focus on a 350 ...



Tunisia

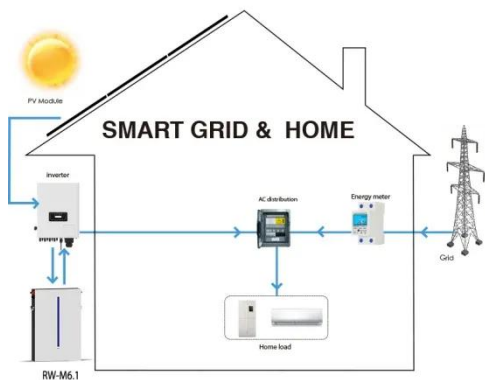
Jul 7, 2009 · The TuNur project consists of a 2,250MW solar CSP power plant in the Sahara desert and a 2 GW HVDC

submarine cable from Tunisia to Italy. ...



Tunisia Photovoltaic Energy Storage

The 120-megawatt solar photovoltaic project is the first project under the Tunisian Concession Regime, reaching financial close. The project was awarded to AMEA Power in December 2019 ...



Tunisia's Strategic Push Toward Renewable ...

Feb 7, 2025 · Serving as Tunisia's first large-scale, privately financed solar plant, the project will be funded by energy company AMEA Power, which has ...

Tunisia storage power plant

What drives Tunisia's energy transition? Three key drivers will dictate Tunisia's energy transition: energy security, given

Tunisia's growing energy balance deficit; economics, given the relative ...

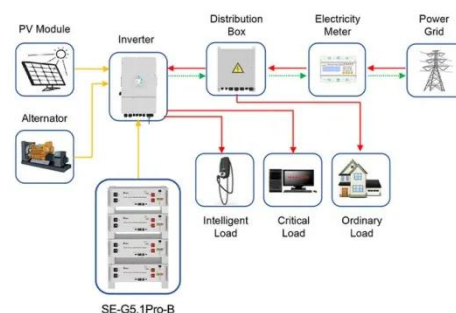


Technology Strategy Assessment

Jul 21, 2023 · Background Compressed air energy storage (CAES) is one of the many energy storage options that can store electric energy in the form of potential energy (compressed air) ...

Tunisian utility planning 600MW pumped hydro energy storage

Oct 24, 2022 · The pumped hydro project will be located on the Oued El Melah river. Image: TAP/STEG. Tunisian utility STEG is planning to build a 400-600MW pumped hydro energy ...



Application scenarios of energy storage battery products

China: Work starts on 'world's largest' ...

Dec 31, 2024 · Construction has started on a 350MW compressed air energy

storage project in, China, claimed to be the largest in the world of its kind.



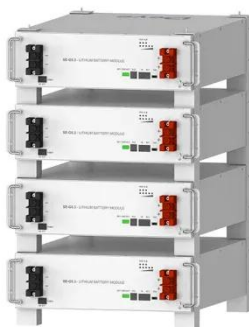
World's largest compressed air energy storage ...

Jan 10, 2025 · A 300 MW compressed air energy storage (CAES) power station utilizing two underground salt caverns in central China's Hubei Province was ...



Tunisia: Qair signs project agreements with the ...

6 days ago · Qair signs agreements with the Tunisian government to launch the Gafsa and El Khobna solar power plants. [Learn more.](#)



Deye Official Store

10 years
warranty

Deploying Battery Energy Storage Solutions in Tunisia

Nov 21, 2023 · ed their renewable energy potential, such as Tunisia. The

objective of this report is to look into the potential of Battery Energy Storage System (BESS) development in Tunisia, in ...



Tunisia seeks consultants for 400 MW solar-plus ...

Mar 20, 2025 · The World Bank is looking to recruit a technical consultant that will advise on a proposed large-scale solar-plus-battery storage project in Tunisia. ...



Tunisia

Apr 15, 2024 · Tunisia's national grid is connected to those of Algeria and Libya which together helped supply about 12% of Tunisia's power consumption in the first half of 2023. Moreover, in ...



Tunisia Compressed Air Energy Storage Project Efficiency

Moritsuka H, Morinaga M, Mimaki T (1993) Study on integrated compressed-

air energy-storage advanced combined-cycle plant -thermal efficiency and operation. CRIEPI Research report, ...



Power Sector Transition in Tunisia

Aug 19, 2025 · The World Bank's presence in Tunisia is large, with two active energy projects in the country: The Tunisia Energy Sector Improvement Project (USD \$151 million), which aims ...



Conclusion of Tunisian BESS project

To support the ambitious plans for decarbonizing the Tunisian power system, GET.transform teamed up with GIZ's program, Support for an Accelerated Energy Transition in Tunisia ...



TuNur - Renewable energy, storage and ...

TuNur is developing a series of renewable energy projects that will

produce low-cost green electrons and molecules in Tunisia for export. Each export project ...



 LFP 12V 100Ah



IP65/IP55 OUTDOOR CABINET

OUTDOOR MODULE CABINET

OUTDOOR 5G BASE STATION CABINET

WATERPROOF

Tunisia Looking For 400MW Battery Energy Storage System Project

Mar 26, 2025 · Tunisia's Minister of Industry, Mines and Energy, Fatima Al-Thabat Shabb, has approved four solar projects with a combined capacity of 500 MW Battery Energy Storage ...

Tunisia

Compressed air energy storage (CAES) is seen as a promising option for balancing short-term diurnal fluctuations from renewable energy production, as it can ramp output quickly and ...



Tunisia's Push for Renewable Energy: Progress ...

Jan 13, 2025 · Tunisia's push for renewable energy reflects significant

progress through ambitious solar and wind projects, yet challenges such as regulatory ...



energy storage companies tunisia

Liquid air energy storage firm Highview Power has raised £300 million (US\$384 million) from the UK Infrastructure Bank and utility Centrica to immediately start building its first large-scale ...



Tunisia awards over 500MW of solar capacity in ...

Dec 31, 2024 · Tunisia has announced the winners of tenders for over 500MW of solar capacity, including Qair International and Voltalia.

Tunisia Photovoltaic Energy Storage Project

Tunisia's Ministry of Energy, Mines and Renewable Energies has received 57

project proposals for its fifth tender to develop and build solar power plants up to 10 MW in size.



MIGA Boosts Tunisia's First Large-Scale Solar Energy Project

Jul 31, 2024 · This landmark project will be the first large-scale privately financed grid-connected solar independent power producer in the country and will support the government of Tunisia's ...

Mitsubishi: 450MW Tunisian Power Plant Begins ...

Sep 8, 2022 · Mitsubishi Power, the power solutions brand of Mitsubishi Heavy Industries (MHI), has announced the start of operations at the Rades C ...



Tunisia greenlights 500 MW of solar - pv ...

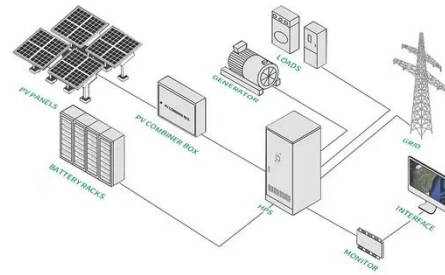
Mar 25, 2025 · The Tunisian government has granted licenses to four PV projects

with a combined capacity of 500 MW.
The selected developers are Qair ...



Tunisia Energy Storage Battery Project

California project with world's biggest battery at 3,287MWh online The Edwards & Sanborn solar-plus-storage project in California is now fully online, with 875MWdc of solar PV and 3,287MWh ...



Scatec pens 120MW solar PPA with Tunisian ...

Mar 25, 2025 · Scatec has penned a 25-year PPA with Tunisian state utility Société Tunisienne de l'Electricité et du Gaz for a 120MW solar PV power plant.

Contact Us

For catalog requests, pricing, or partnerships, please visit:

<https://wf-budownictwo.pl>