

SolarGrid Energy Solutions

Medical uninterruptible power supply OEM processing



Overview

What should a medical UPS system do if power fails?

In the event of a power failure, medical UPS systems must seamlessly switch to backup power sources, such as generators or battery systems. The transition should occur without any disruption to the power supply, ensuring the safe operation of essential medical equipment. 3. Advanced Isolation and Monitoring.

What is a medical UPS system?

Medical UPS systems are indispensable in environments where power continuity is non-negotiable, such as operating rooms, intensive care units (ICUs), and life-support systems. These UPS systems must provide uninterrupted power in case of an outage, ensuring that critical devices remain operational. 2. Seamless Emergency Power Transition.

What is a medical grade UPS system?

This UPS (uninterruptible power supply) Systems provide full DIN EN 60601-1 compliance while providing reliable battery backup and surge/line noise protection for sensitive medical equipment such as respirators and EKG machines, as well as computers and imaging equipment. Medical-Grade UPS Systems.

Why do pharmaceutical facility operators need uninterrupted power supplies?

Pharmaceutical facility operators are constrained by many diverse factors and rely on uninterrupted power supplies. They must work within strict, multiple compliance and regulatory regimes. Compliance also requires uninterrupted monitoring and data logging for highly environmentally-sensitive, lengthy batch cycles.

What is an industrial uninterruptible power supply (UPS)?

An interruption can lead to discarding entire batches of products, potentially

costing producers hundreds of thousands of dollars. That's why an industrial uninterruptible power supply (UPS) or backup power is important to provide continuous and quality power to avoid unplanned downtime and production losses.

Why should a medical UPS system be customized?

Each healthcare facility has unique power requirements, and medical UPS systems must be customized accordingly. Whether powering imaging machines, monitoring systems, or other critical devices, UPS systems should be designed to meet the specific needs of the facility, ensuring both reliability and efficiency. 7.

Medical uninterruptible power supply OEM processing



What are the Special Regulations for the 'Maintenance Cycle' of Medical

Jul 25, 2025 · In the medical field, reliable power supply is crucial for ensuring patient safety and the continuity of medical services. As a key backup power equipment, the stable operation of ...

What Is an Uninterruptible Power Supply (UPS) System?

Feb 25, 2025 · An uninterruptible power supply (UPS) system provides backup power during electrical outages using a battery, inverter, and rectifier. When grid power fails, the UPS ...



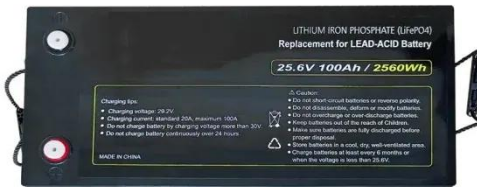
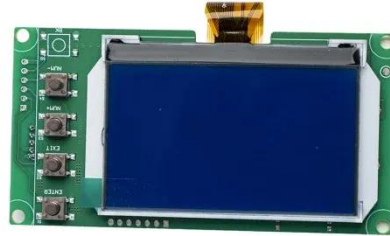
Method for Processing UPS in High-end Medical Equipment

May 27, 2025 · Method for treating equipment, service training, medical IT. And uninterruptible power supply lithium-ion battery UPS helps medical imaging equipment, supply stable power ...



Uninterruptible Power Supply Basic , Tech

Jun 17, 2025 · Uninterruptible Power Supply (UPS) Basic: Power-Delivery Methods, Capacity Ranges, and How to Select the Right System. UPS ...

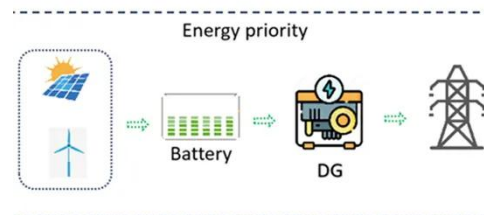


Medical UPS Systems: Ensuring Safe, Reliable Power in ...

Oct 1, 2024 · Ensure uninterrupted power for critical healthcare equipment with medical UPS systems. Discover key safety standards like VDE 0100 and ÖVE/ÖNORM E 8007 that ...

Medical-Grade UPS Systems , Baaske Medical

This UPS (uninterruptible power supply) Systems provide full DIN EN 60601-1 compliance while providing reliable battery backup and surge/line noise protection for sensitive medical ...



Uninterruptible Power Supply (UPS) for Healthcare Applications

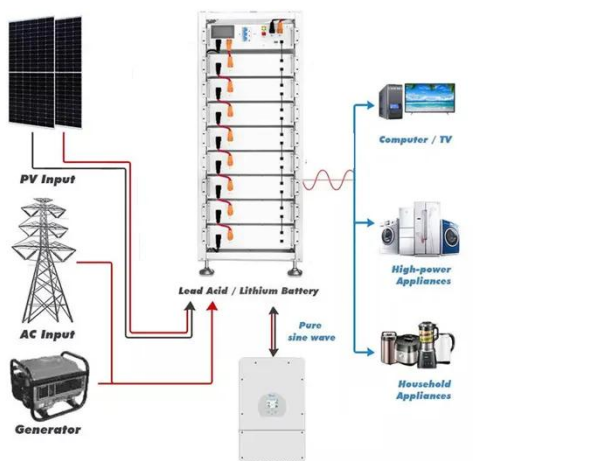
Jul 24, 2025 · Any disruption in power

supply, even for a few seconds, can have catastrophic consequences, jeopardizing patient safety and compromising life-supporting procedures. This ...



UPS Manufacturers in India

Find here UPS, Battery Backup manufacturers & OEM manufacturers in India. Get Contact details & address of companies manufacturing and supplying ...



Ensuring Operational Continuity With An Uninterruptible Power Supply

Jul 25, 2025 · That is why installing an Uninterruptible Power Supply (UPS) for medical equipment is a critical step in ensuring uninterrupted care and clinical safety. This article explores how a ...

Products

Ultron's rock-solid stability provides ongoing critical power supply protection and resultant peace of mind. UPS

Amplon family The Amplon family are single ...



Method for Processing UPS in High-end Medical Equipment

Jul 25, 2025 · Method for processing UPS in high-end medical equipment. The medical industry is one of the most typical key operations. Uninterruptible power supply UPS guards key ...



Medical Power Supplies

A medical-grade power supply is a specialized unit designed to meet strict safety standards for medical devices and equipment use. These power supplies, ...



Online 30KVA Medical Uninterruptible Power Supply

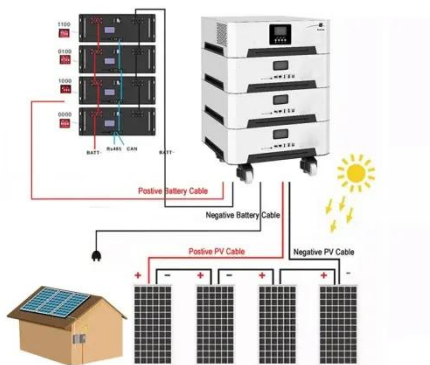
May 19, 2025 · The Online 30KVA Medical Uninterruptible Power Supply is



a reliable, high-performance power supply system specially designed for healthcare facilities. This product ...

Method for Processing UPS in High-end Medical Equipment

Mar 22, 2025 · Method for processing UPS in high-end medical equipment. The medical industry is one of the most typical key operations. Uninterruptible power supply UPS guards key ...



Uninterruptible Power Supply (UPS) Systems: A ...

Mar 21, 2025 · Conclusion: Secure Your Power with a Reliable Uninterruptible Power Supply (UPS) In conclusion, an Uninterruptible Power Supply (UPS) ...

Medical UPS for Hospitals & Clinical Care by ...

The Borri Ingenio Plus range is a compact online double conversion,

transformer free uninterruptible power supply (UPS) solution. It delivers high efficiency and ...



The Importance Of Uninterrupted Power To Pharmaceutical ...

Power protection systems in medical institutions have higher standards than those for commercial or industrial use. Delta offers a large array of Uninterruptible Power Supplies (UPS) designed ...

How an Uninterruptible Power Supply Supports ...

Jun 30, 2022 · Learn why an uninterruptible power supply is vital to the pharmaceutical production process to avoid downtime and improve quality ...



Medical UPS Systems: Ensuring Safe, Reliable Power in ...

Oct 1, 2024 · Uninterrupted power supply (UPS) systems play a critical role



in healthcare facilities, where power outages can have life-threatening consequences. To comply with stringent

...

Method for processing UPS in high-end medical equipment

Apr 8, 2022 · Method for processing UPS in high-end medical equipment. The medical industry is one of the most typical key operations. Uninterruptible power supply UPS guards key ...



Method for processing UPS in high-end medical equipment

Apr 8, 2022 · Method for treating equipment, service training, medical IT. And uninterruptible power supply lithium-ion battery UPS helps medical imaging equipment, supply stable power ...



Healthcare UPS Backup Power , Mitsubishi Electric

2 days ago · Healthcare UPS Hospitals, medical centers, and healthcare

organizations require reliable backup power to provide the necessary patient ...



2025-2031????????????????????

??QYR(QYResearch)??????,2024??????????
????????????????36.42????,??2031????52.7????
,??????(CAGR)?5.5%(2025 ...



Understanding the Medical Grade UPS

Jun 11, 2024 · A Medical Grade Uninterruptible Power Supply (UPS) is a specialized power backup device designed to meet the stringent requirements ...



Why Medical Facilities Rely on Medical Grade UPS Systems

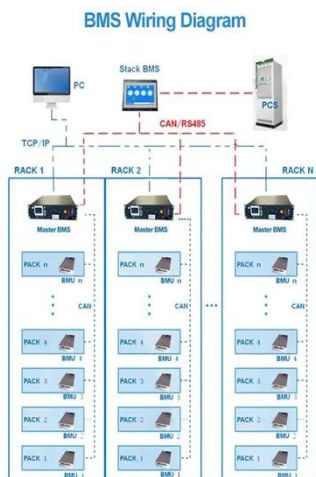
Jun 28, 2025 · The medical grade UPS systems are indispensable in healthcare



facilities, providing clean, and uninterrupted power to medical equipment.

Method for Processing UPS in High-end Medical Equipment

Mar 22, 2025 · Method for treating equipment, service training, medical IT. And uninterruptible power supply lithium-ion battery UPS helps medical imaging equipment, supply stable power ...



Method for Processing UPS in High-end Medical Equipment

May 27, 2025 · Method for processing UPS in high-end medical equipment. The medical industry is one of the most typical key operations. Uninterruptible power supply UPS guards key ...

Maintenance of industrial uninterruptible power supply (UPS...

Jul 18, 2025 · Issue Information prescribed in some original equipment

manufacturer's (OEM's) standard operating and maintenance instructions relating to industrial UPS systems may not ...



UPS Overview , SANUPS Uninterruptible Power ...

1. Introduction UPS is the abbreviation for Uninterruptible Power Supply and is a device which supplies power to devices for a fixed amount of time without ...

Medical Power Supply , Top Custom Medical ...

As OEM manufacturers search for trusted power supply partners, Phihong's expertise in medical power design ensures compliance, innovation, and ...



Contact Us

For catalog requests, pricing, or partnerships, please visit:

<https://wf-budownictwo.pl>