

SolarGrid Energy Solutions

Battery Energy Storage Planning



Overview

What is a battery energy storage system?

Systems for storing energy in batteries, or BESS, answer these issues. Battery energy storage systems (BESS) are essential in managing and optimizing renewable energy utilization and guarantee a steady and reliable power supply by accruing surplus energy throughout high generation and discharging it during demand.

Can battery energy storage systems support electricity grid modernization?

The flexible operation of battery energy storage systems (BESS) to support electricity grid modernization requires optimal planning and an efficient control strategy. This paper proposes the optimal allocation of BESS with photovoltaic systems for microgrids to enhance grid reliability and flexibility.

Can battery energy storage system counteract power fluctuation?

The battery energy storage system (EES) deployed in power system can effectively counteract the power fluctuation of renewable energy source. In the planning and operation process of grid side EES, however, the incorporation of power flow constraints into the optimization problem will strongly affect the solving efficiency.

What is battery energy storage (BES)?

Battery energy storage (BES) units have many advantages and are used for several purposes in electric systems and distribution grids. They are used not only for peak shaving and voltage regulation, but also for reliability enhancement and dispatching the renewable-based distributed generation (DG) sources.

Are battery energy storage systems a conflict of interest?

The authors declare no conflicts of interest. Abstract The battery energy storage system (EES) deployed in power system can effectively counteract the

power fluctuation of renewable energy source.

Why is battery energy storage system important?

However, the battery energy storage system (ESS) has the flexibility of transferring energy in the time dimension, which can weaken the power fluctuation of renewable energy. Thus, it is significant to plan ESS for promoting the consumption of renewable energy and compensate its fluctuation [4 - 6].

Battery Energy Storage Planning

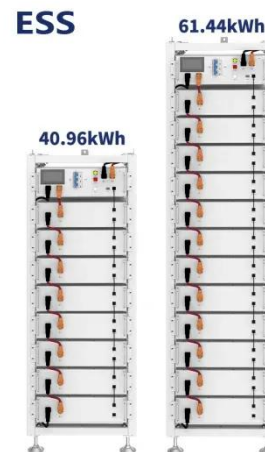


Optimal battery energy storage planning and control ...

Oct 1, 2023 · The flexible operation of battery energy storage systems (BESS) to support electricity grid modernization requires optimal planning and an efficient c...

Optimal sizing of residential battery energy storage systems ...

Dec 15, 2022 · The results show that the long-term storage planning problem of residential systems can be solved quickly through C-ADMM due to the parallel computing capability. ...



Strategic Guidelines for Battery Energy Storage ...

Oct 26, 2023 · This research addresses strategic recommendations regarding the applications of battery energy storage systems (BESS) in the context of the ...

Battery Energy Storage Systems: Main Considerations for ...

5 days ago · This webpage includes information from first responder and industry guidance as well as background information on battery energy storage systems (challenges & fires), BESS ...



Battery energy storage system decommissioning ...

Feb 19, 2025 · Contributed by Max Khabur, director of marketing at Bluewater Battery Logistics As renewable energy generation continues to grow, the use ...



Battery Energy Storage Roadmap

Dec 12, 2024 · This EPRI Battery Energy Storage Roadmap is a planning tool for EPRI and its Members that identifies gaps in accelerating significant ...



Planning of Stationary-Mobile Integrated Battery Energy Storage ...

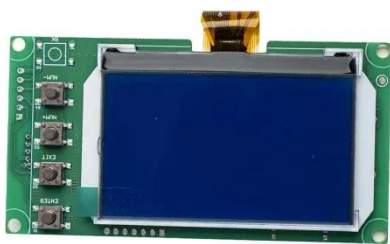
Dec 18, 2024 · Under extreme weather



events represented by severe convective weather (SCW), the adaptability of power system and service restoration have become paramount. To this end, ...

Planning, Design & Access Statement

Aug 18, 2023 · Executive Summary This Planning, Design and Access Statement has been prepared by Savills on behalf of Bramford Power Ltd, in respect to a proposed ...



Optimal planning of hybrid hydrogen and battery energy storage ...

Feb 28, 2025 · Hybrid hydrogen and battery energy storage (HHBES) complement the performance of the energy storage technologies in terms of power, capacity and duration, and ...

Europe's largest battery project secures planning consent in ...

Nov 28, 2024 · Scottish government grants development consent to 900 MW

battery energy storage system (BESS) near the village of Alyth, Perth and Kinross. The UK BESS project is ...



Optimization of distributed energy resources planning and battery

Dec 1, 2024 · Battery energy storage systems (BESS) are essential in managing and optimizing renewable energy utilization and guarantee a steady and reliable power supply by accruing ...

Stochastic Optimal Planning of Battery Energy Storage ...

Jul 11, 2017 · A novel stochastic planning framework is proposed to determine the optimal battery energy storage system (BESS) capacity and the year of installation in an isolated microgrid ...



Long-term optimal planning of distributed generations and battery

Oct 15, 2024 · In [12], a bi-level



optimization framework is proposed for planning and operating a hybrid system comprising mobile battery energy storage systems (MBESSs) and static battery ...

Apatura secures planning consent for the largest ...

Sep 13, 2024 · Apatura secures planning consent for Scotland's largest standalone Battery Energy Storage System (BESS) in Port Glasgow, with a ...



Optimal planning of lithium ion battery energy storage for ...

Jan 1, 2023 · This paper presents a new method for determining the optimal size of the battery energy storage by considering the process of battery capacity degradation. In this method, ...



Battery Energy Storage System Planning Based on Super ...

Jun 15, 2023 · Low-time resolution electricity data have been used to drive

battery energy storage system (BESS) planning due to data barriers. However, the coarse-resolution time series ...

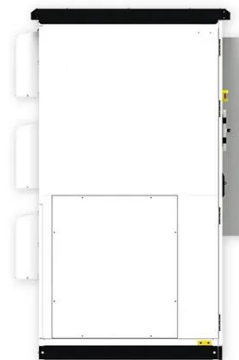


Planning for a network system with renewable resources and battery

May 15, 2024 · This paper presents a real-time simulation for systematically integrating renewable energy sources (RESs) and battery energy storage systems (BESS) in electrical networks, ...

What are the Essential Site Requirements for Battery Energy Storage

Nov 19, 2024 · Battery Energy Storage Systems represent the future of grid stability and energy efficiency. However, their successful implementation depends on the careful planning of key ...



Battery energy storage systems (BESS)

Jun 23, 2025 · This briefing covers battery energy storage systems (BESS),

concerns about their safety and barriers to their deployment.



Battery energy storage system planning for promoting renewable energy

Dec 7, 2023 · Abstract The battery energy storage system (EES) deployed in power system can effectively counteract the power fluctuation of renewable energy source. In the planning and ...



A Developer's Guide to Battery Energy Storage ...

Oct 11, 2023 · Here are some tips for developers to consider when planning battery energy storage system (BESS) projects: Evaluate revenue streams - ...

Optimal battery energy storage planning and control ...

Oct 1, 2023 · Utilizing a battery energy storage system (BESS) with renewable

energy-based distributed generations (RE-based DGs) in microgrids can mitigate the power quality and ...



Battery energy storage system planning for promoting ...

Nov 18, 2024 · The energy storage system planning problem consists of two aspects: the capacity configuration and the location selection. However, in the planning problem, the optimization ...



Planning & Zoning for Battery Energy Storage Systems

6 days ago · To aid local governments in navigating this evolving landscape, Planning & Zoning for Battery Energy Storage Systems: A Guide for Michigan Local Governments was ...



Battery energy storage system planning for promoting renewable energy

Dec 7, 2023 · The battery energy



storage system (EES) deployed in power system can effectively counteract the power fluctuation of renewable energy source. In the planning and operation ...

Battery energy storage system planning for promoting ...

Nov 18, 2024 · Abstract The battery energy storage system (EES) deployed in power system can effectively counteract the power fluctuation of renewable energy source. In the planning and ...



The Ultimate Guide to Battery Energy Storage ...

Apr 6, 2024 · Battery Energy Storage Systems (BESS) have become a cornerstone technology in the pursuit of sustainable and efficient energy ...

Battery storage consents: Chief Planner letter August 2020

Aug 27, 2020 · Letter issued by Chief Planner regarding the granting of energy

consents and related planning permissions in Scotland on 27 August 2020.



Planning for Battery Energy Storage Systems

Our team of Chartered Planners and Environmental Planners can assist with gaining planning consent for your battery energy storage systems development.

7 Essential Strategies for Battery Storage Infrastructure Planning

Dec 3, 2024 · Battery storage infrastructure planning acts as an essential element in the integration of renewable power sources such as solar and wind. It offers a method to store ...



Battery storage guidance note 1: Battery storage planning , Energy

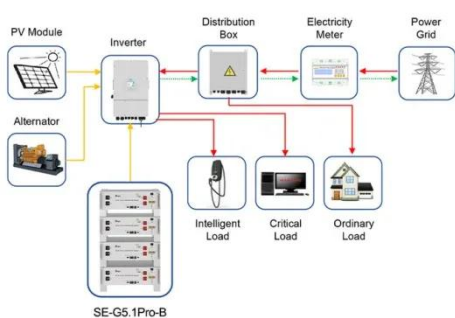
This publication provides guidance covering various aspects of planning a



battery storage facility. It provides an overview of battery types, planning regulations in the UK, and information on ...

Battery Energy Storage Systems

This issue of Zoning Practice explores how stationary battery storage fits into local land-use plans and zoning regulations. It briefly summarizes the market ...



Application scenarios of energy storage battery products

Battery energy storage system decommissioning ...

Jan 17, 2025 · Battery energy storage system decommissioning and end-of-life planning starts now With a disposition plan in place, and leveraging practical ...

Battery Energy Storage Planning , SpringerLink

Mar 27, 2024 · This paper addresses the optimal planning of battery energy

storage systems (BESSs) to mitigate the undesired effects of electric vehicle (EV) charging on power



Trading-oriented battery energy storage planning for ...

Jul 1, 2021 · In this paper, we present a trading-oriented battery energy storage system (BESS) planning model for a distribution market. The proposed planning model is formulated as a ...

Planning for solar farms and battery storage solutions

Jun 7, 2022 · Planning for solar farms and battery storage Solar photovoltaics (PV) panels, also known as solar power, generate electricity from the sun. Large scale solar PV installations are ...



Contact Us

For catalog requests, pricing, or partnerships, please visit:

<https://wf-budownictwo.pl>